

THIS DRAWING IS UNPUBLISHED.

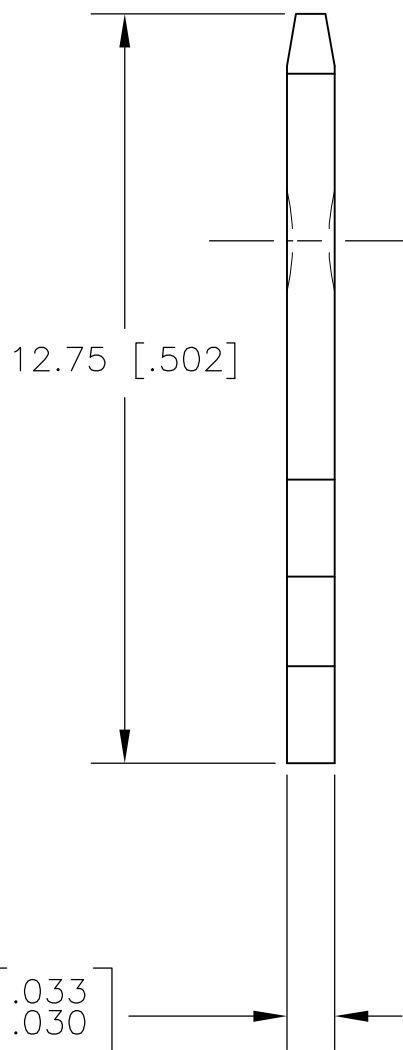
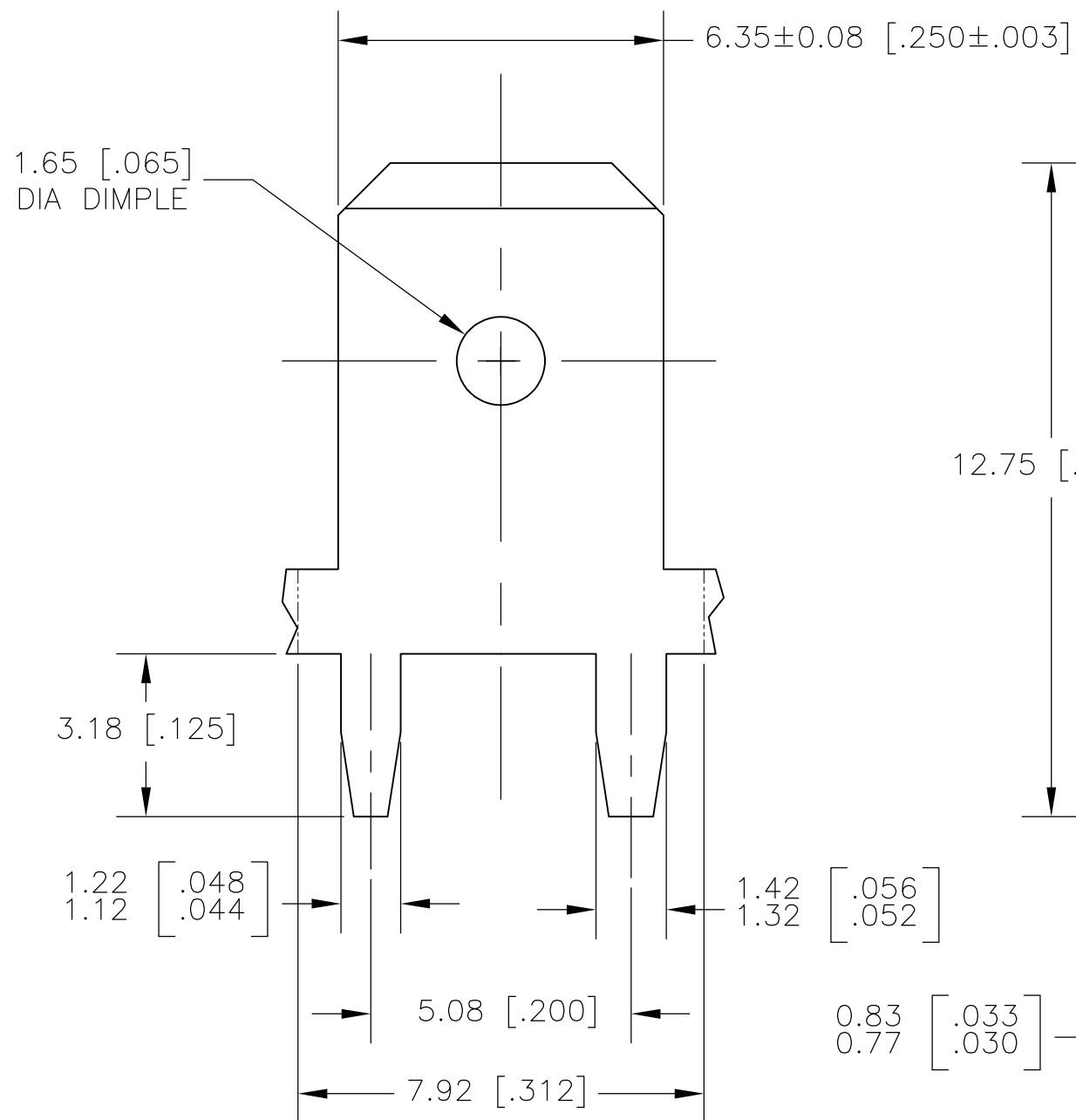
RELEASED FOR PUBLICATION

---

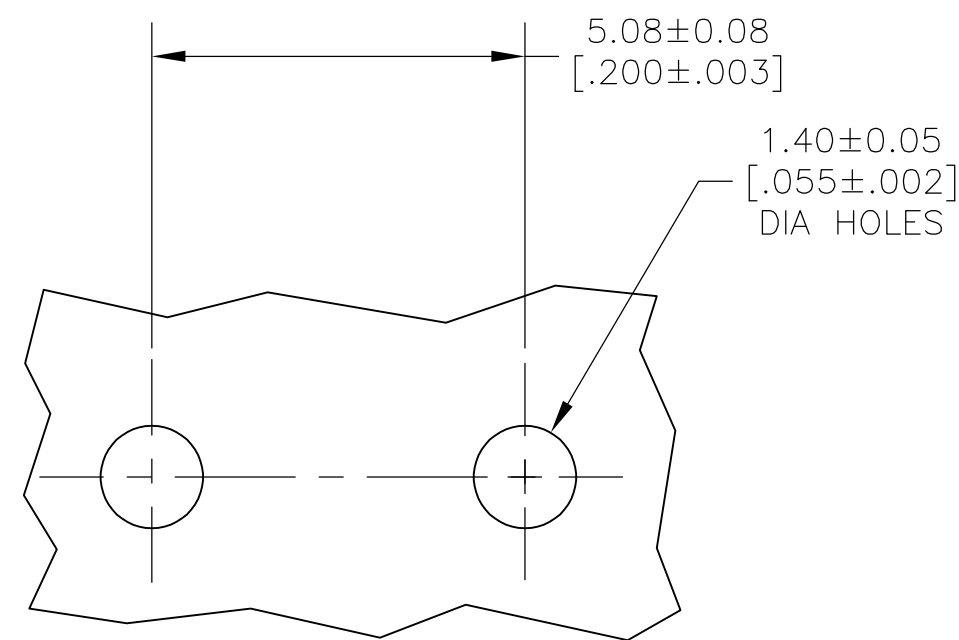
© COPYRIGHT - By -

ALL RIGHTS RESERVED.

LOC	DIST	REVISIONS					
AF	50	P	LTR	DESCRIPTION	DATE	DWN	APVD
			F	REVISED PER ECR-13-001204	21JUN13	KH	PD



- 1 CONTINUOUS STRIP ON REELS.
- △ 2 0.00381 [.000150] MIN TIN OVER  
0.00254 [.000100] MIN THK COPPER.



P.C. BOARD HOLES  
SCALE 10:1

63839-1  
PART NUMBER

THIS DRAWING IS A CONTROLLED DOCUMENT.		DWN	JR RUTH	30NOV00	<b>STE</b> TE Connectivity				
DIMENSIONS: mm [INCHES]		CHK	MS FEHER	30NOV00					
TOLERANCES UNLESS OTHERWISE SPECIFIED:		APVD	G PORTA	30NOV00	NAME				
0 PLC ± -		PRODUCT SPEC		TAB, FASTON, PC BOARD, 6.35 [.250] SERIES					
1 PLC ± -		APPLICATION SPEC		114-2112		SIZE	CAGE CODE	DRAWING NO	RESTRICTED TO
2 PLC ± 0.25 [.010]		MATERIAL		BRASS		A3 00779		G-63839	
3 PLC ± -		FINISH		TIN OVER COPPER		CUSTOMER DRAWING		SCALE 8:1	
4 PLC ± -		MATERIAL		BRASS		SHEET 1 OF 1		REV F	
ANGLES ± -		MATERIAL		BRASS		SHEET 1 OF 1		REV F	